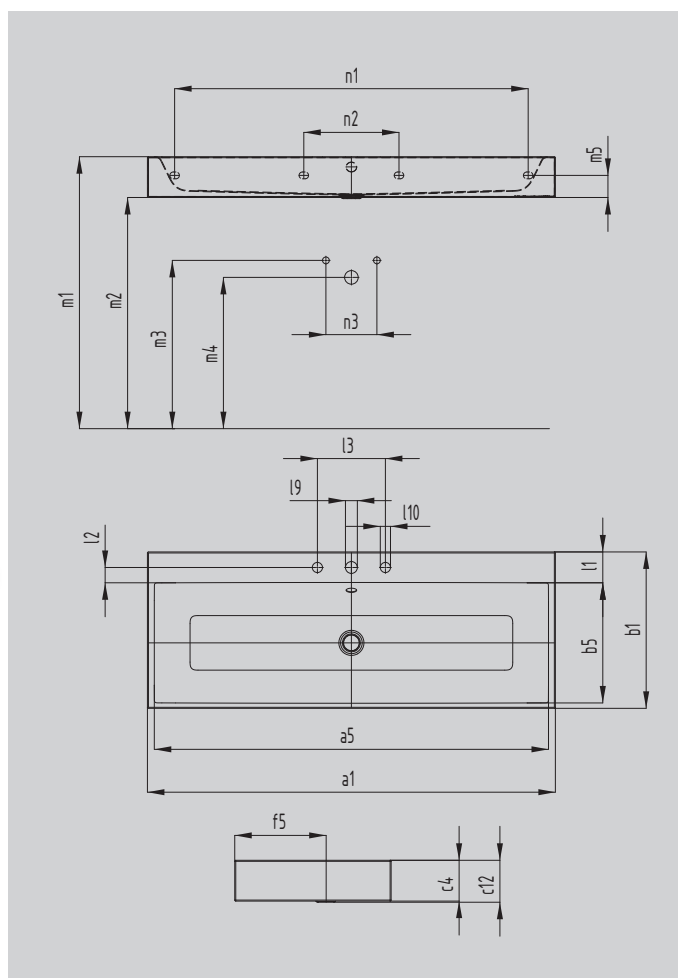


# PURO WALL-HUNG WASHBASIN

- elegant rectangular washbasin in a classically minimalist design
- reduced precise edges
- very generous interior dimensions
- clean and timeless lines – immortalised in long-lasting KALDEWEI steel enamel
- harmonises perfectly with the PURO bath series
- designed by Anke Salomon



Similar illustration



Model		3167
External length	$a_1$	1200 mm
Internal length	$a_5$	1160 mm
External width	$b_1$	460 mm
Internal width	$b_5$	354 mm
Height of rim	$c_4$	120 mm
Distance basin surface to bottom edge of waste hole	$c_{12}$	125 mm
Distance rear edge to centre of waste hole	$f_5$	268 mm
Depth of tap deck	$l_1$	91 mm
Distance tap holes to edge	$l_2$	45 mm
Distance external tap holes (for 3 tap holes)	$l_3$	200 mm
Diameter of centre tap hole	$l_9$	Ø 35 mm
Diameter of outside tap hole (for 3 tap holes only)	$l_{10}$	Ø 30 mm
Distance FF to top edge basin surface	$m_1$	820 - 850 mm
Distance FF to bottom edge	$m_2$	700 - 730 mm
Distance FF to centre of water inlet	$m_3$	570 - 600 mm
Distance FF to centre of waste hole wall connection	$m_4$	520 - 580 mm
Distance bottom edge to centre of fixing hole	$m_5$	65 mm
External distance of fixing holes	$n_1$	1040 mm
Internal distance of fixing holes	$n_2$	280 mm
Distance hot/cold water inlet	$n_3$	80 - 150 mm
Net weight		23 kg