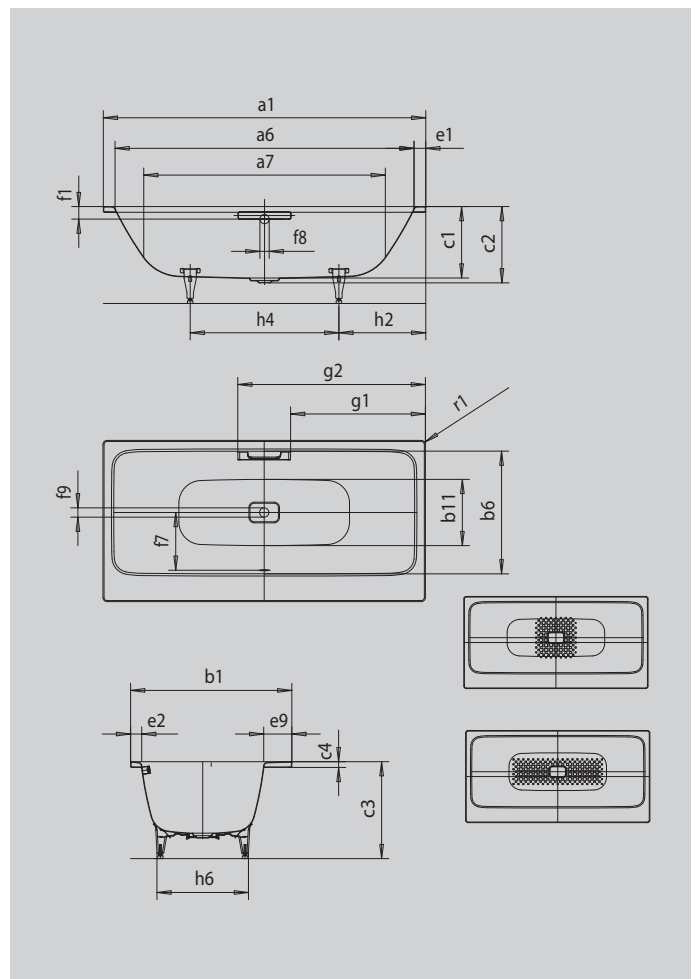


ASYMMETRIC DUO

- exciting contrast between the clear lines of the bath rim and the flowing, ergonomic design language of the interior
- generously sized storage area that can also be used as a sit or to accommodate bath rim tap fittings
- enamelled waste cover and overflow knob integrated in the bath design (also available with filling function)
- bathing with a friend: two identical back rests and centrally positioned waste
- made of KALDEWEI steel enamel



Similar illustration



Model		744
External length	a ₁	1900 mm
Internal length (top)	a ₆	1770 mm
Internal length (bottom)	a ₇	1484 mm
External width	b ₁	1000 mm
Internal width (top)	b ₆	751 mm
Internal width (bottom)	b ₁₁	646 mm
Depth inside	c ₁	400 mm
Depth incl. waste hole	c ₂	425 mm
Height with feet	c ₃	540 - 560 mm
Height of rim	c ₄	32 mm
Shelf	e ₉	187 mm
Width of rim (foot end; long side)	e ₁ ; e ₂	65; 62 mm
Distance top edge to centre of overflow hole	f ₁	70 mm
Distance bath edge to centre of waste hole	f ₂	950 mm
Distance centre of waste hole to centre of overflow hole	f ₇	370 mm
Diameter of overflow hole	f ₈	Ø 52 mm
Diameter of waste hole	f ₉	Ø 52 mm
Distance bath edge (foot end) to start of grip	g ₁	802 mm
Distance bath edge (foot end) to end of grip	g ₂	1098 mm
Distance foot end of bath edge to centre of foot	h ₂	585 mm
Distance between the feet	h ₄	730 mm
Width of feet max.	h ₆	585 mm
External radius	r ₁	23 mm
Water volume		208 l
Net weight		64 kg
Anti-slip		396 x 396 mm
Full anti-slip		924 x 348 mm